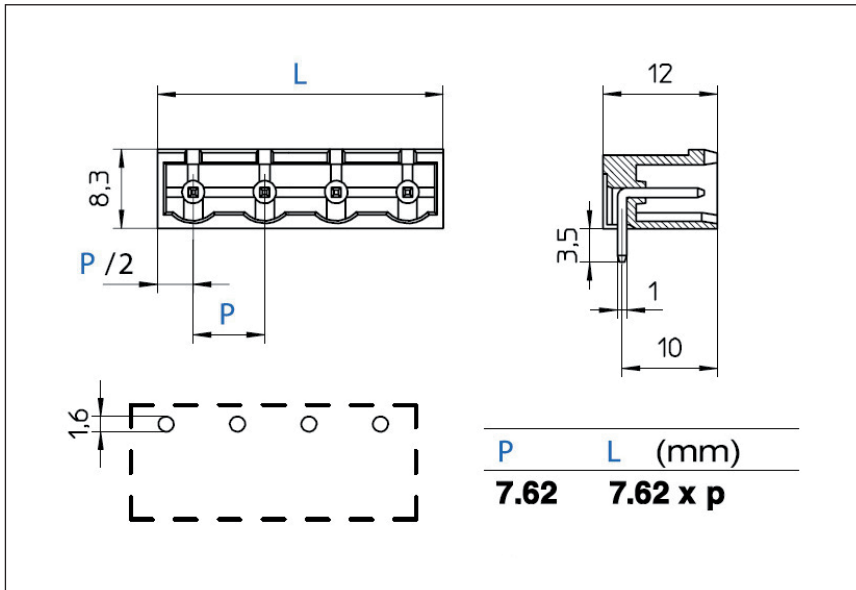


# Standard Pluggable PCB Terminal Block Horizontal Header CPM7.62-SQ

The CPM family of printed circuit board headers is used with the CPF and MRT3 pluggable terminal blocks. The CPM is available in both a vertical and 90 degree version and with either open or closed ends. A feature of the CPM header is the molded-in polarization that insures proper mating of the plug. The CPM headers are available in 2 to 12 positions and have a UL rating of 12 amps, 300 volts. The standard color is green, however other colors are available upon request.

## SPECIFICATIONS

Housing Material:	PA68 Polyamide, Flammable UL94V0
Housing Color:	Green
Pin:	Tin Plated Brass
PCB Mounting Hole:	1.6 mm
Nominal Current:	12A
Voltage:	300V
Temperature Range:	-30° C to 85° C



Item	No. of Poles	Length (mm)
CPM7.62-SQ	2	15.24
CPM7.62-SQ	3	22.86
CPM7.62-SQ	4	30.48
CPM7.62-SQ	5	38.10
CPM7.62-SQ	6	45.72
CPM7.62-SQ	7	53.34
CPM7.62-SQ	8	60.96
CPM7.62-SQ	9	68.58
CPM7.62-SQ	10	76.20
CPM7.62-SQ	11	83.82
CPM7.62-SQ	12	91.44